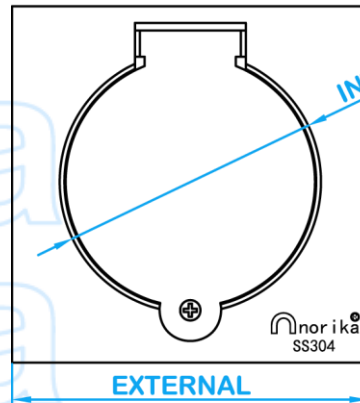


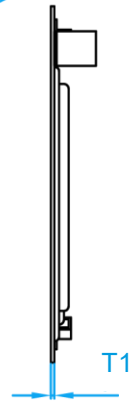
STAINLESS STEEL AISI304L & AISI316L SQUARE GRATINGS

COMPLY WITH SS213:1998

NO HOLE WITH LOCK



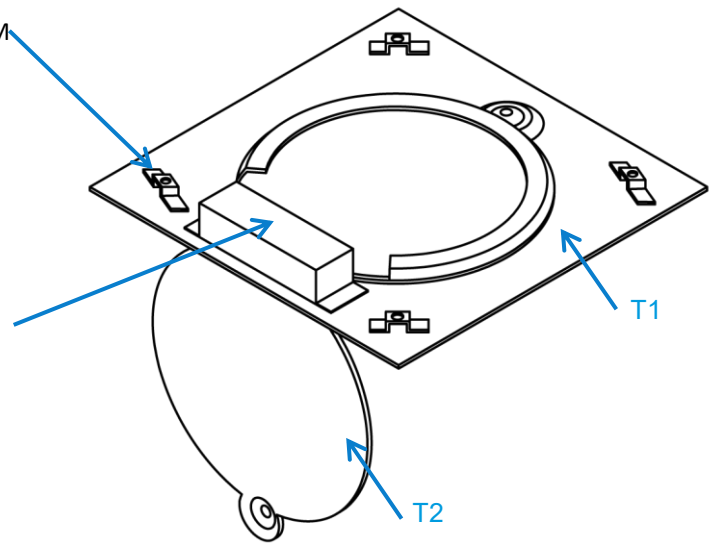
TOP VIEW



SIDE VIEW

GRIPS ARE ADDED TO HOLD ONTO THE CEMENT AND PREVENT GRATING FROM SLIPPING OFF.

ADDITIONAL COVER IS DESIGNED TO ENABLE THE LID TO BE OPENED EASILY BY PREVENTING CEMENT FROM SEEPING IN.



3D VIEW

DIMENSIONS

| SKU | MATERIAL | SURFACE | INTERNAL OPENING (mm) | T1 × T2 (mm) | EXTERNAL (mm) | WEIGHT (kg) | PCS/CTN |
|---------------------|----------|----------|-----------------------|--------------|---------------|-------------|---------|
| SSGN150HLNHWL | AISI304L | HAIRLINE | 105 | 1.5 × 2.0 | 150 × 150 | 0.330 | 40 |
| SSGN150HLNHWL316L | AISI316L | | | 1.5 × 2.0 | | 0.310 | 40 |
| SSGN150HLNHHDWL316L | AISI316L | | | 3.0 × 3.0 | | 0.520 | 40 |
| SSGN150HLNHHDWL | AISI304L | | | 3.0 × 3.0 | | 0.520 | 40 |